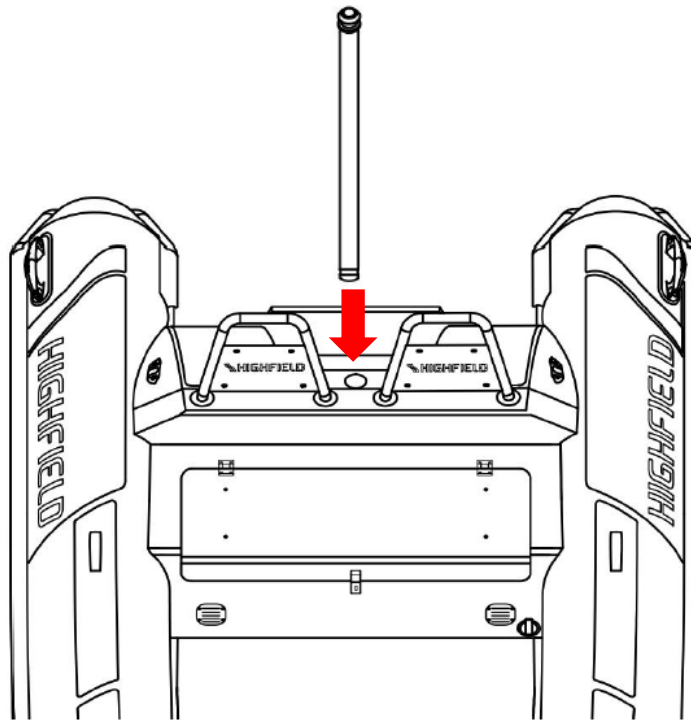
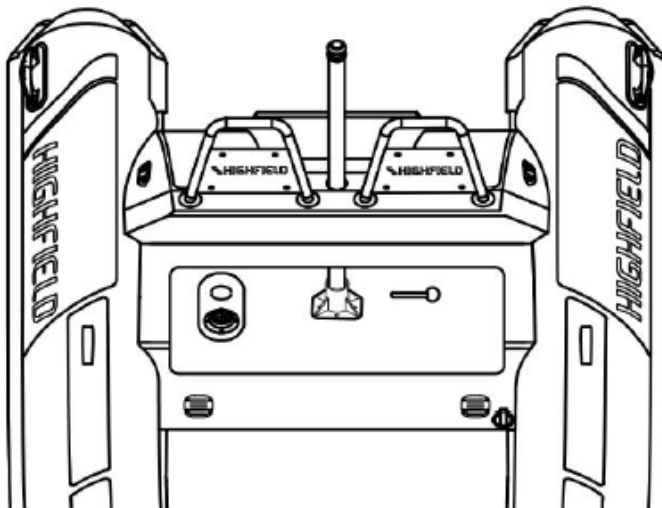
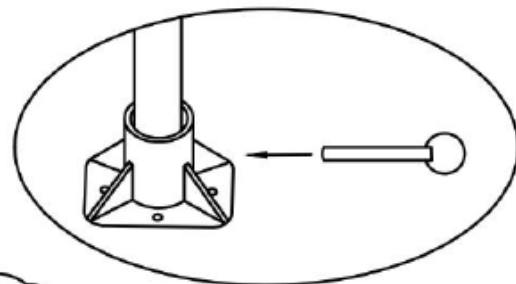


Highfield Boats

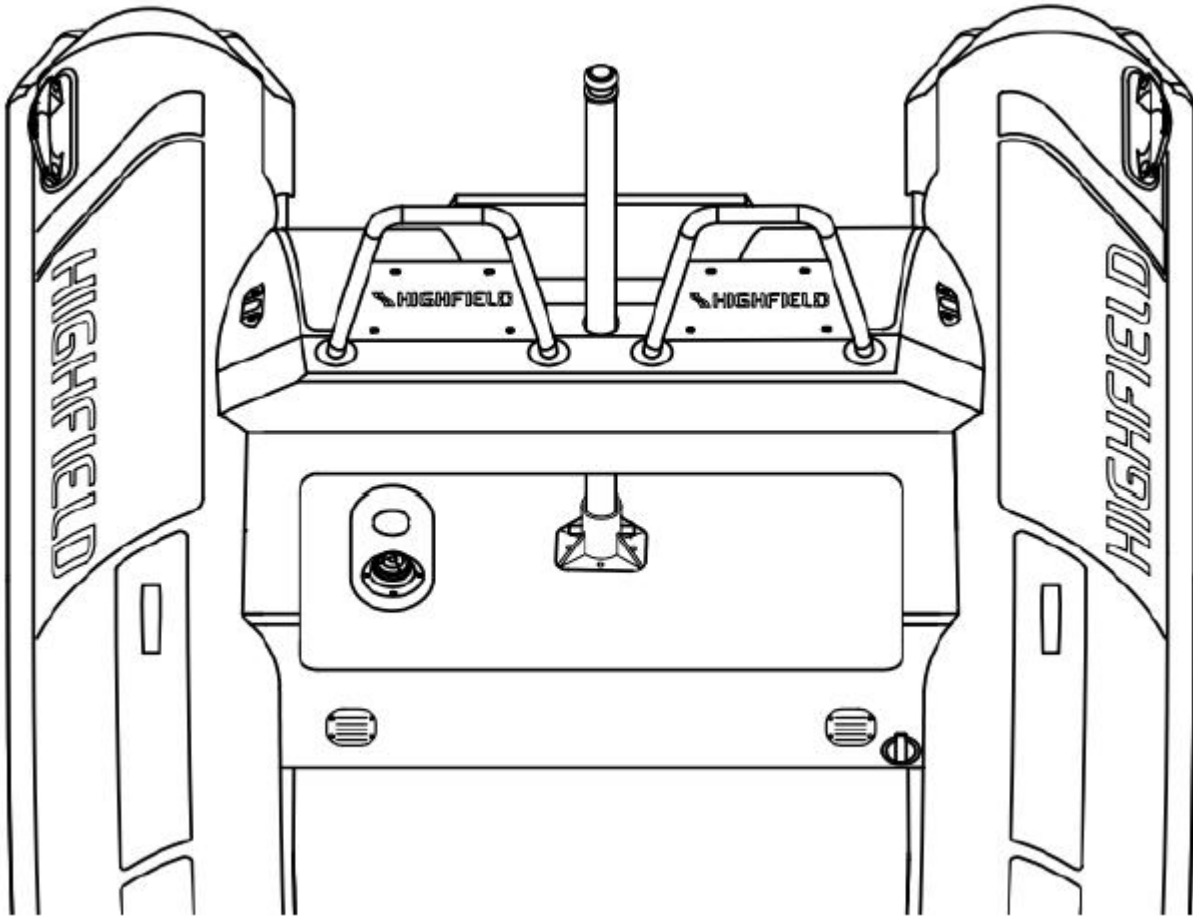
Rear Tow Post Installation Guide (SP330-460)



① Insert rear tow post through the installation opening on transom.



② Insert the pin into the installation hole to lock and fix the rear tow post.



Congratulations, you have successfully installed the rear tow post.