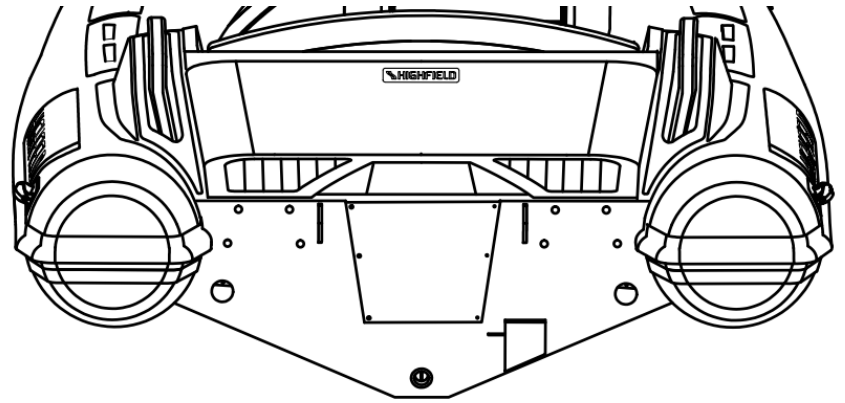
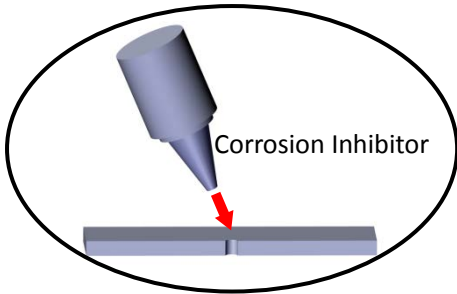


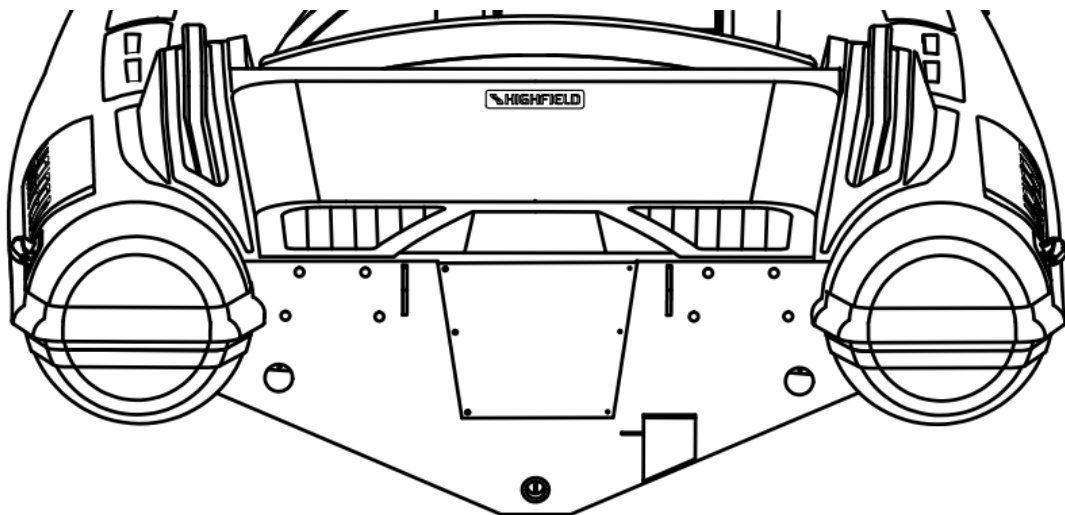
Highfield Boats

Platforms Installation Guide **(SP520-560)**

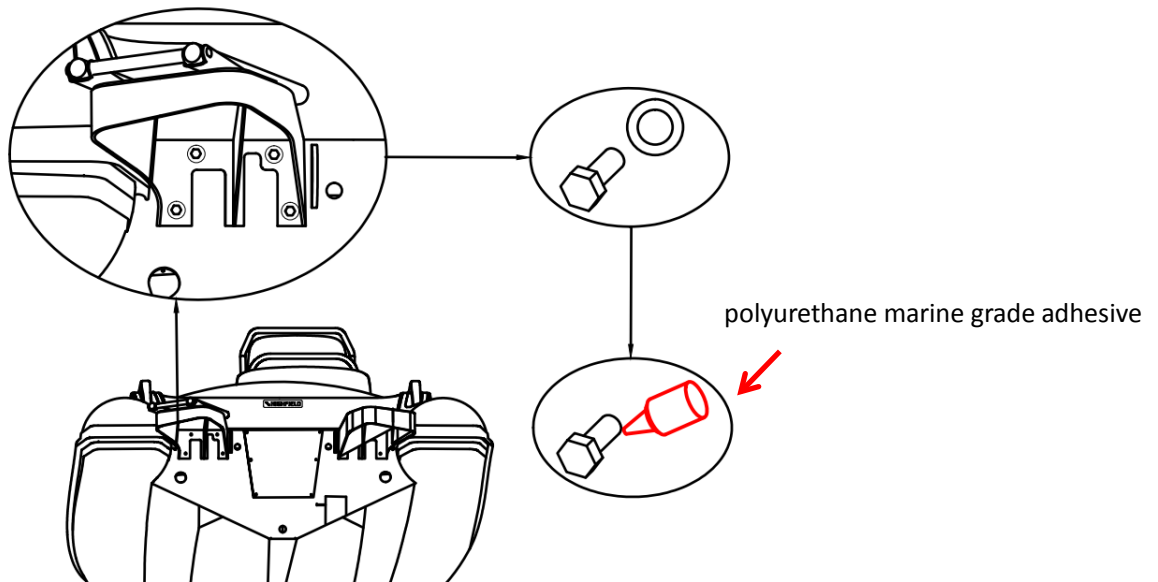


- ① Use insulating compound to eliminate corrosion between the aluminum and the stainless steel screws.

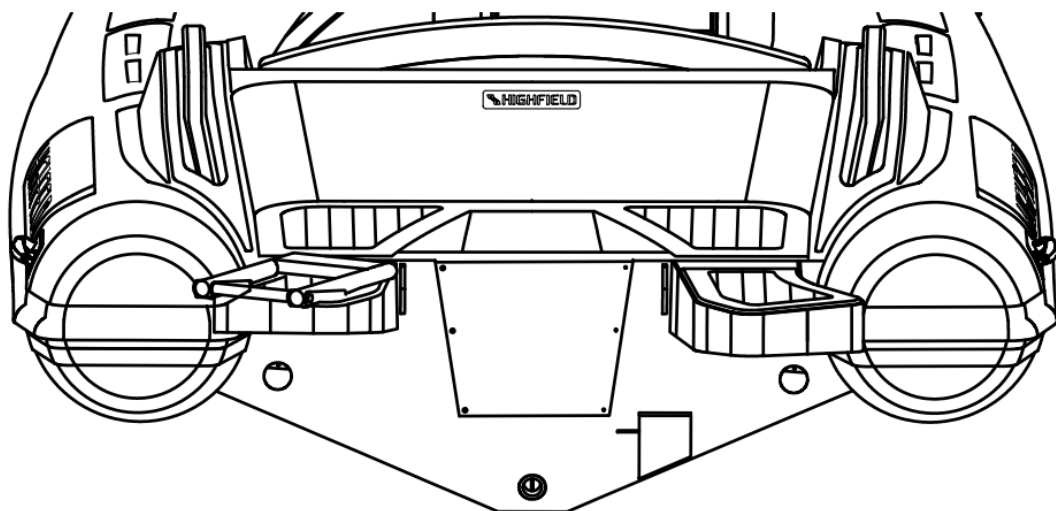
Recommended corrosion inhibitor: Duralac, Tef-Gel, Lanocote



- ② Match the holes between platforms and transom for installation.



- ③ Secure the platform using polyurethane marine grade adhesive such as 3M 5200, Sika 291, Fixtech Fix 15.
Use insulating compound on the stainless steel screws supplied with the platforms.
Recommended corrosion inhibitor: Duralac, Tef-Gel, Lanocote.
Fasten the platform to the transom using the screws.



Congratulations, you have successfully installed the platforms.