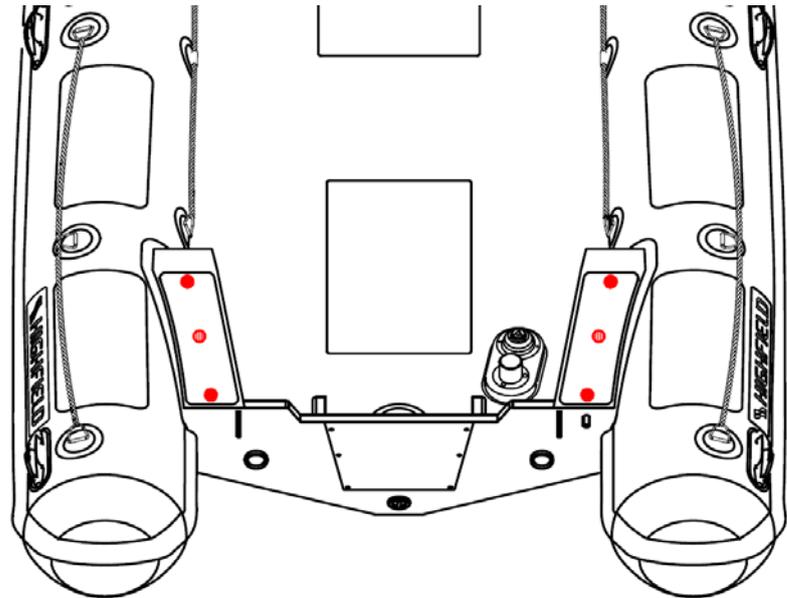
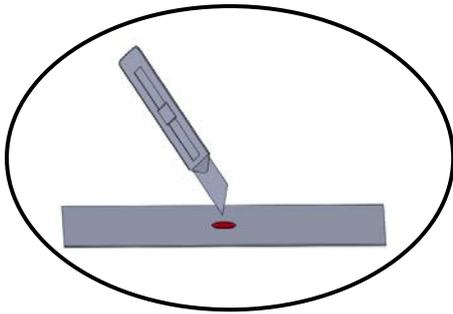


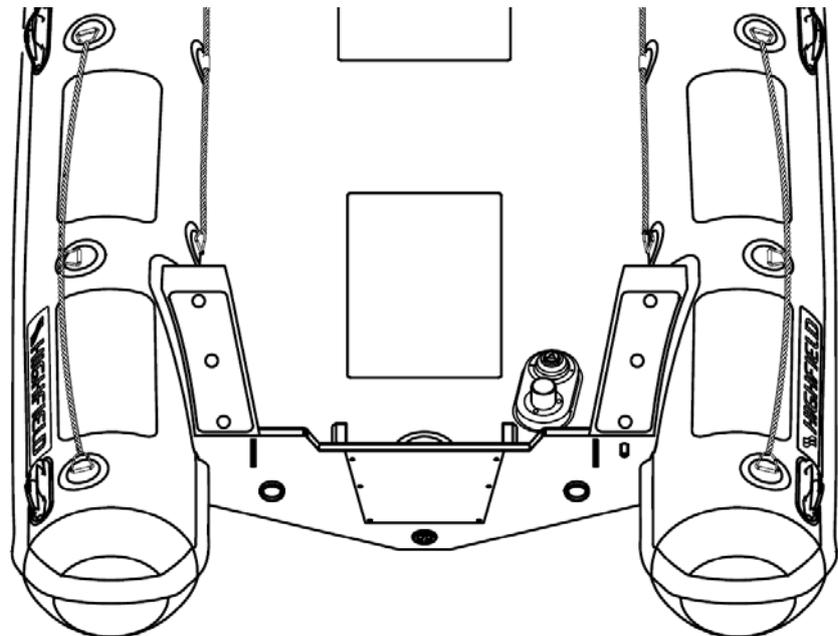
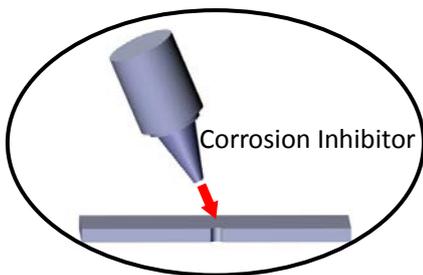
Highfield Boats

Rollbar Installation Guide

(PA500-760)



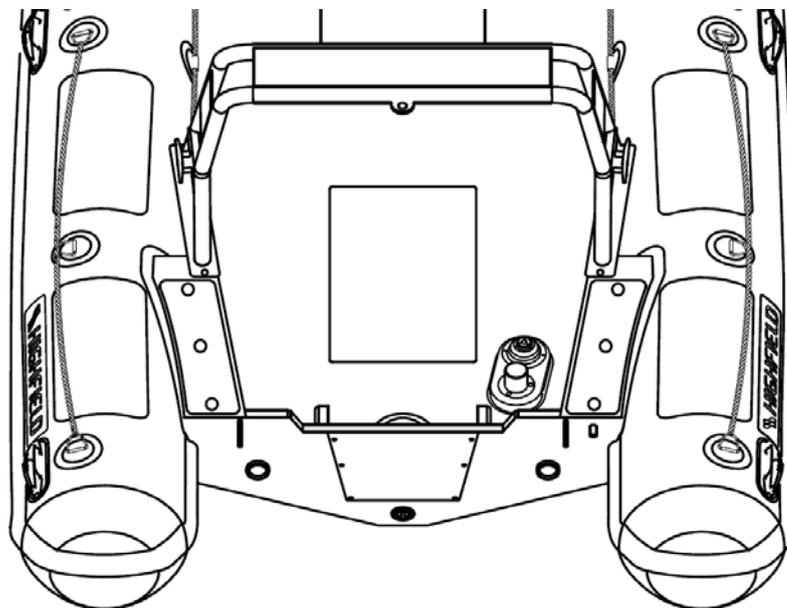
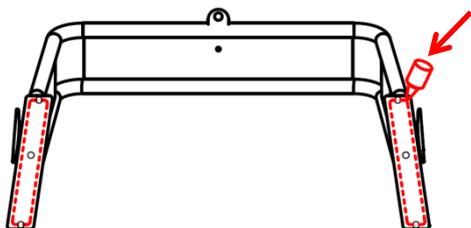
- ① Red stickers indicate the location of holes for installation. Tear off the stickers and cut the anti-skid PVC decking to expose the holes. Do not remove the anti-skid fabric.



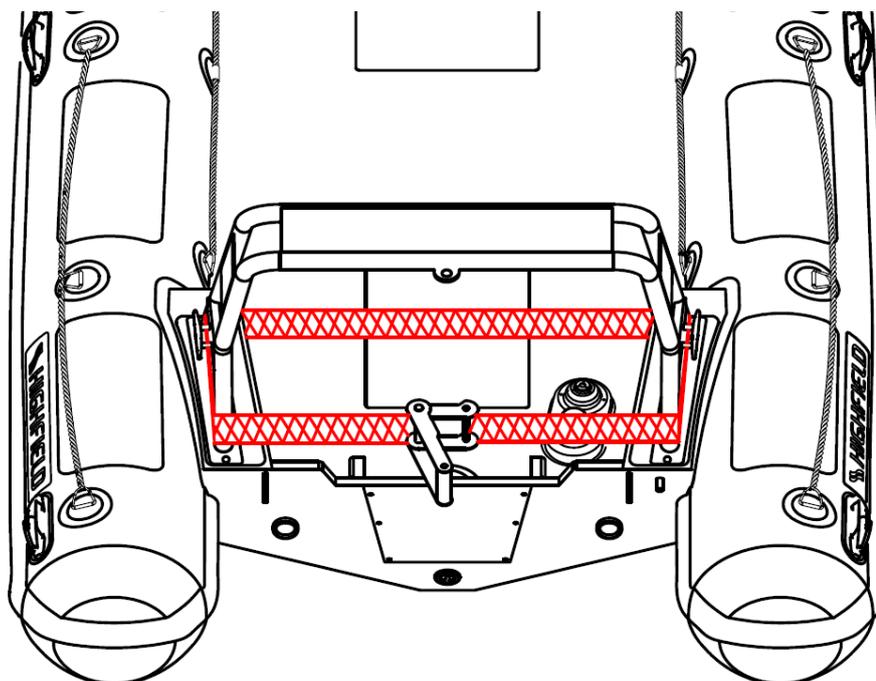
- ② Use insulating compound to eliminate corrosion between the aluminum and the stainless steel screws.

Recommended corrosion inhibitor: Duralac, Tef-Gel, Lanocote

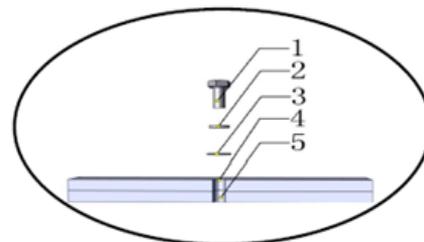
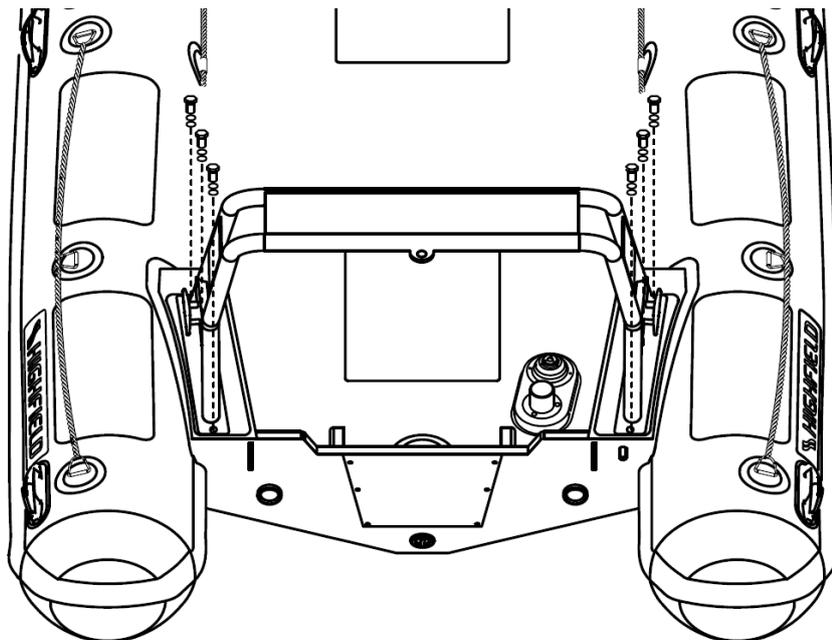
polyurethane marine grade adhesive



- ③ Secure the rollbar using polyurethane marine grade adhesive such as 3M 5200, Sika 291, Fixtech Fix 15.

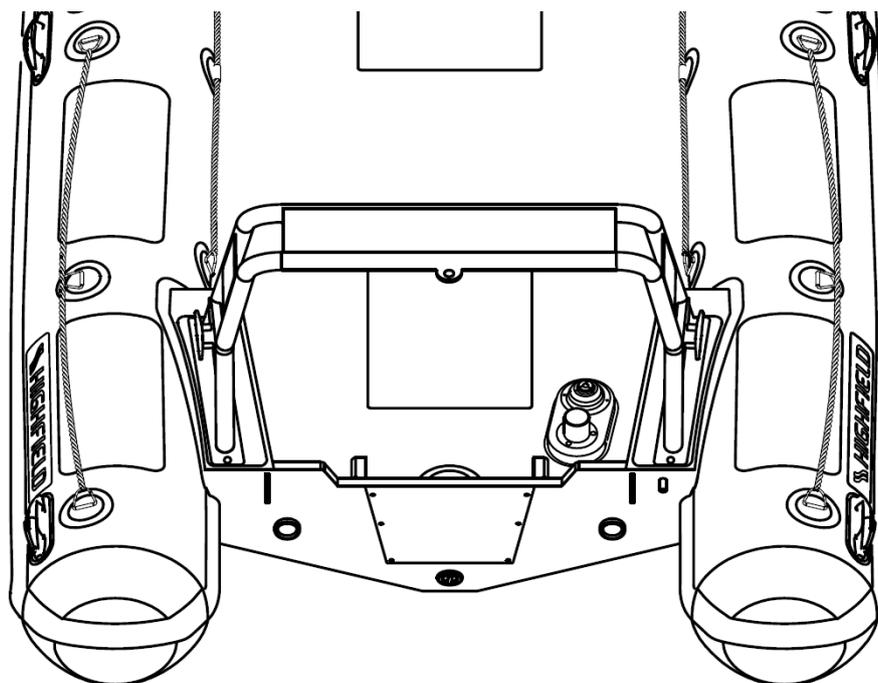


- ④ Use a ratchet strap to adjust the width of the rollbar.



- 1—Screw M8×40mm;
- 2—Stainless steel flat washer M8
- 3—Plastic washer M8
- 4—Rollbar base;
- 5—Stern plate

- ⑤ Use insulating compound on the M8 stainless steel screws supplied with the rollbar. Fasten the rollbar to the transom using the screws.



Congratulations, you have successfully installed the rollbar.