

Highfield Boats

Driver's Seat Installation Guide **(PA540-760)**

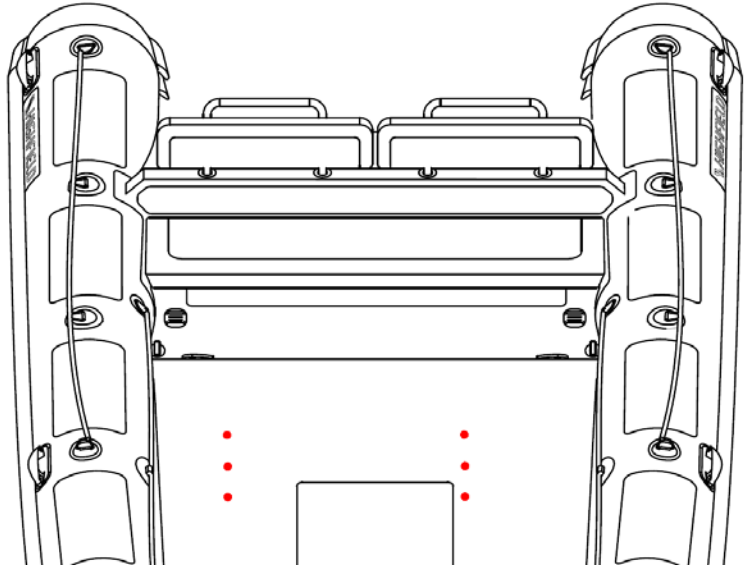
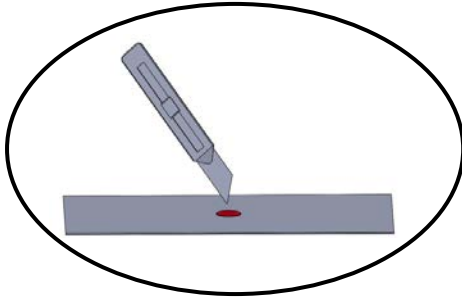
Installation Guide

(Driver's Seat: FS900)

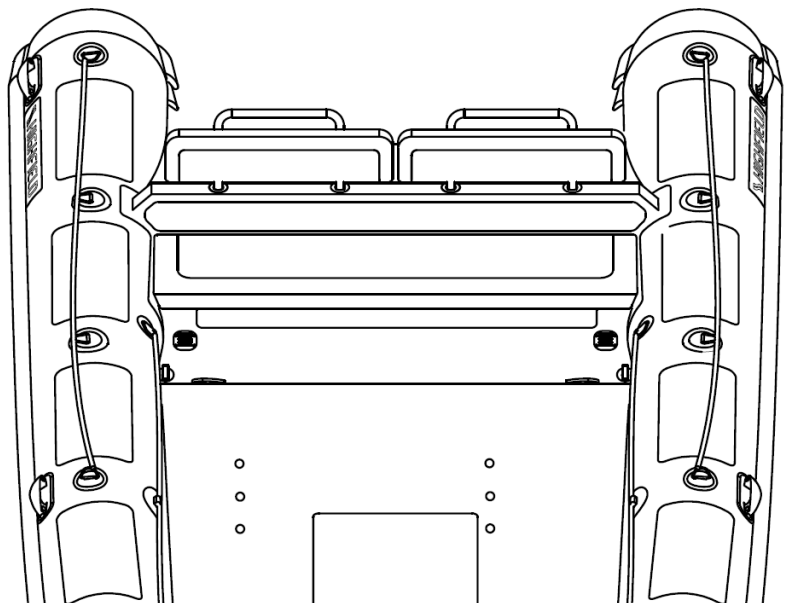
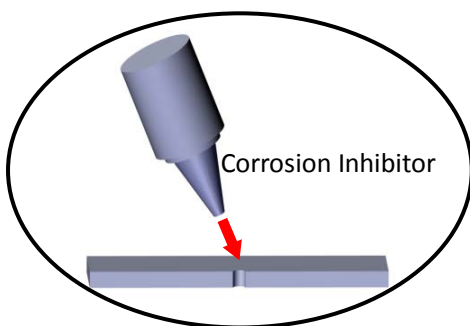
Caution

Before installing consoles or seats over fuel tank access compartments, please remove the cover and check that all fuel fitting are secure. Please also check that electrical wiring and fuel lines are clear of the soon to be drilled cable access hole.

When tank cover is reinstalled use a silicone sealer on the lid.



① Red stickers indicate the location of holes for installation. Tear off the stickers and cut the anti-skid PVC decking to expose the holes. Do not remove the anti-skid fabric.

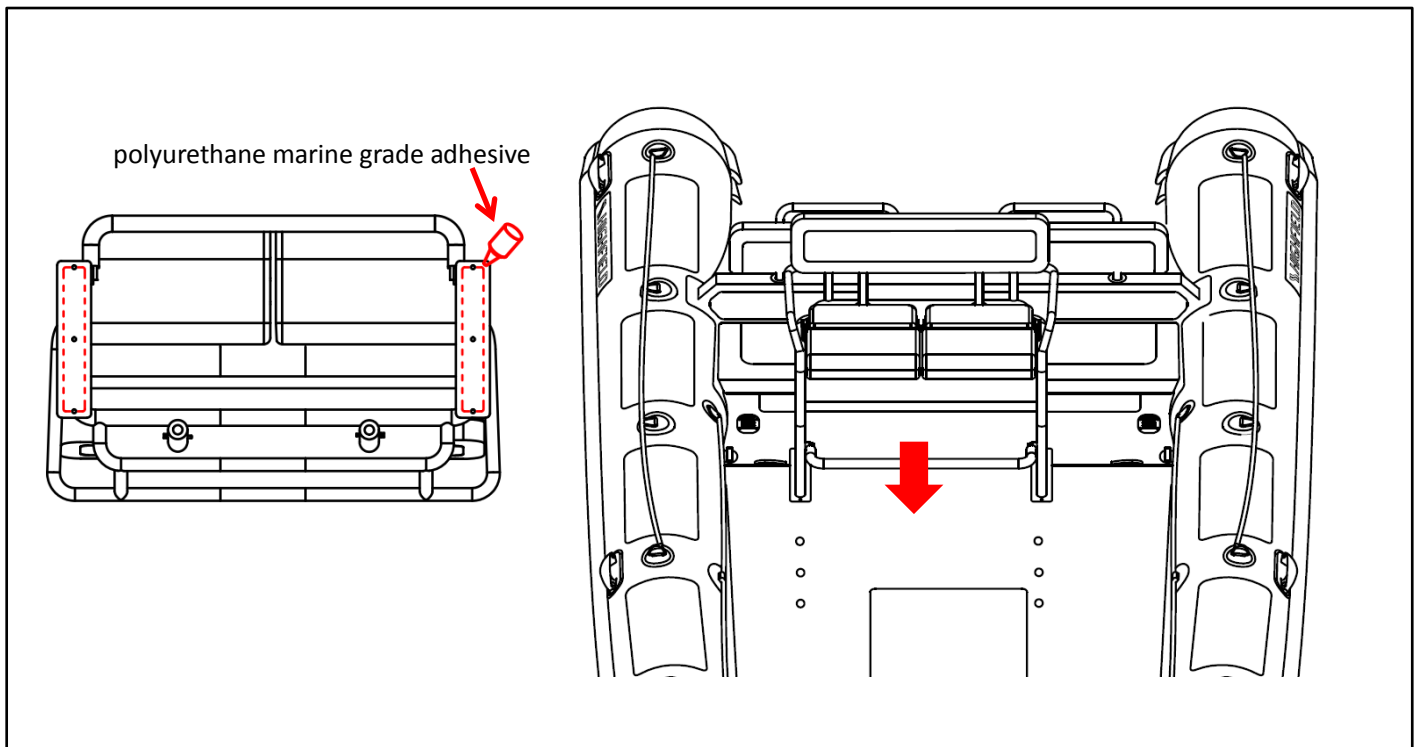


② Use insulating compound to eliminate corrosion between the aluminum and the stainless steel screws.

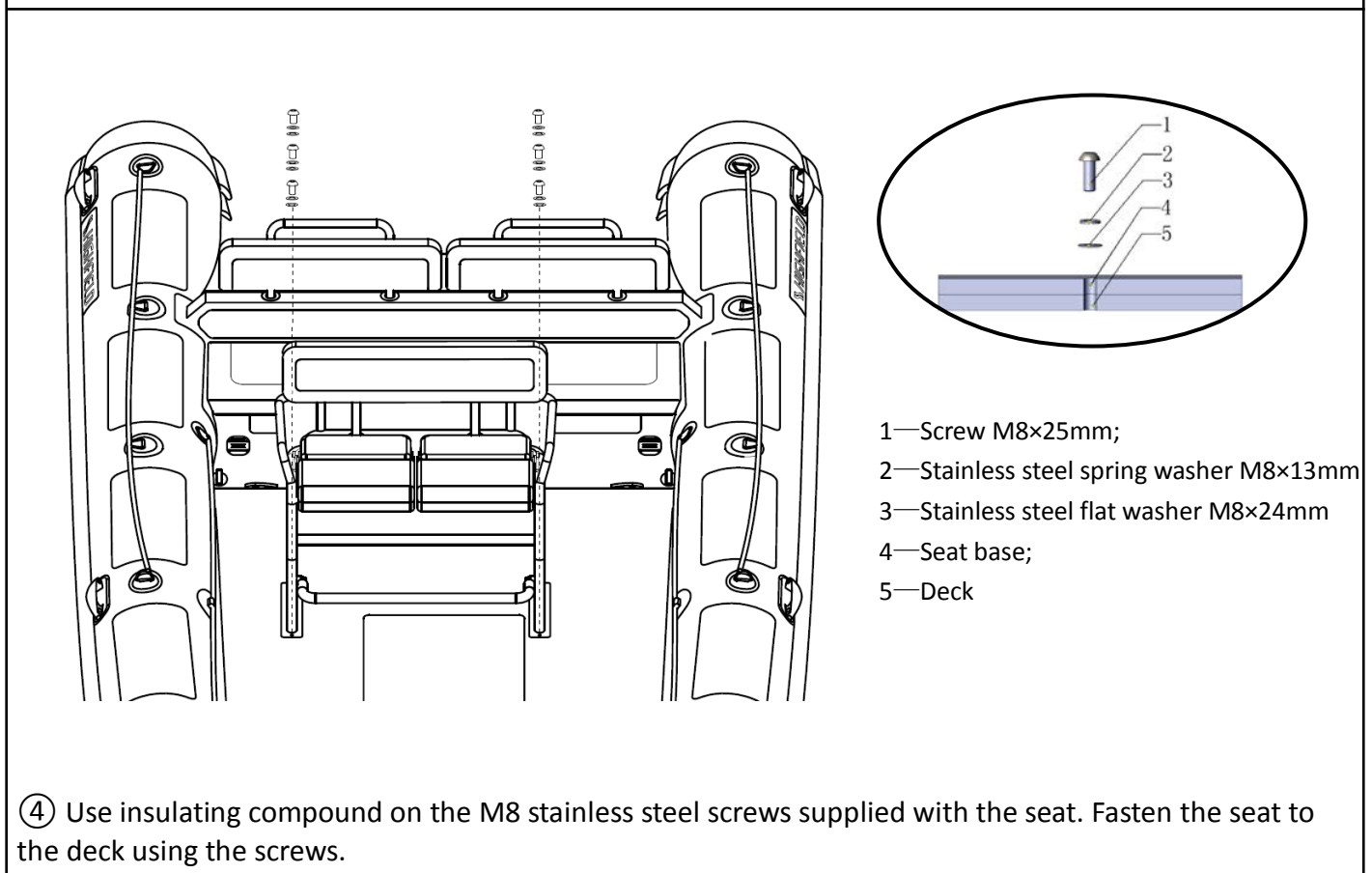
Recommended corrosion inhibitor: Duralac, Tef-Gel, Lanocote

Installation Guide

(Driver's Seat: FS900)

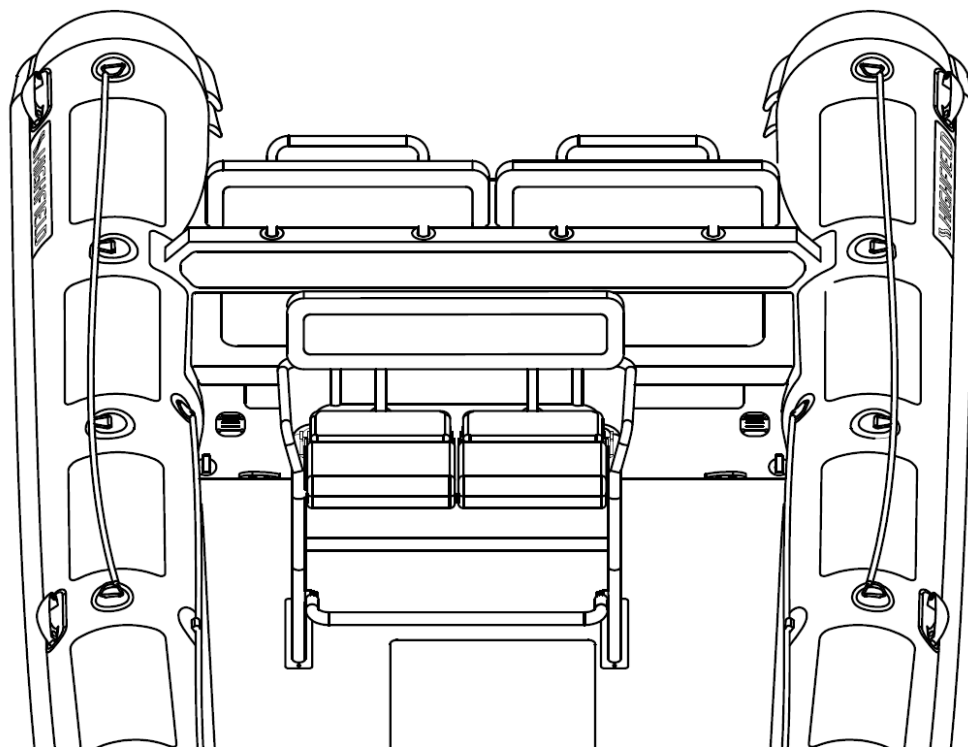


③ Gently clean the deck. Secure the seat using polyurethane marine grade adhesive such as 3M 5200, Sika 291, Fixtech Fix 15.



Installation Guide

(Driver's Seat: FS900)



Congratulations, you have successfully installed the driver's seat.