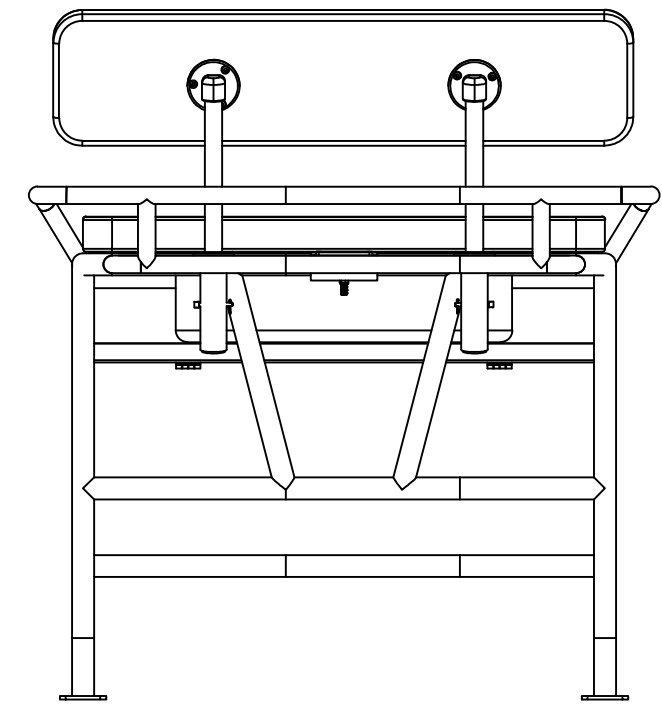
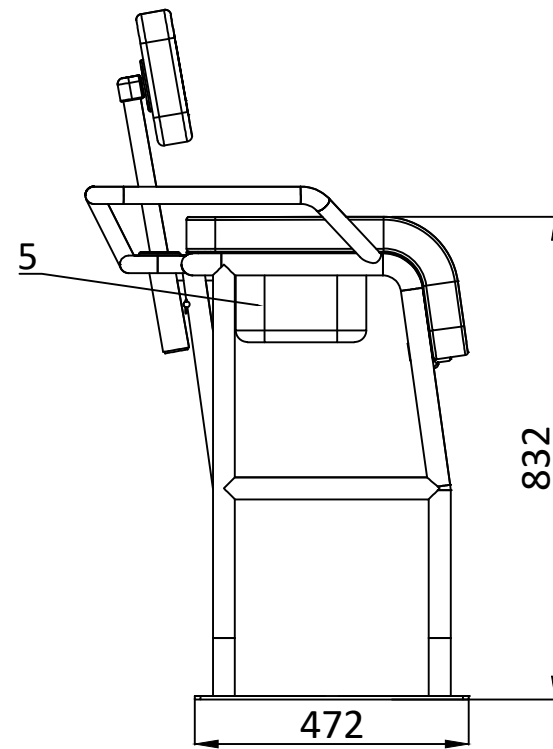



View A



Item	Designation	Part Number	Qty
1	Seat	TB900ST-02	1
2	Cushion	TB900ST-01-D-02	1
3	Backrest	TB900ST-01-R-02	1
4	Handrail		1
5	Container		1

	TB900ST-02		DWN: XQC
			APPROVED: LXL
info@highfieldboats.com	DWG:	SCALE:	DATE: 2020.11.26

(C) Copyright reserved. No unauthorized use allowed.
All intellect - ideas - concepts remain the property of Highfield Boats