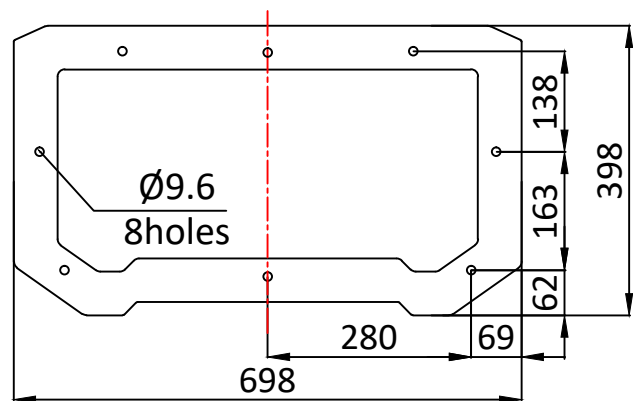
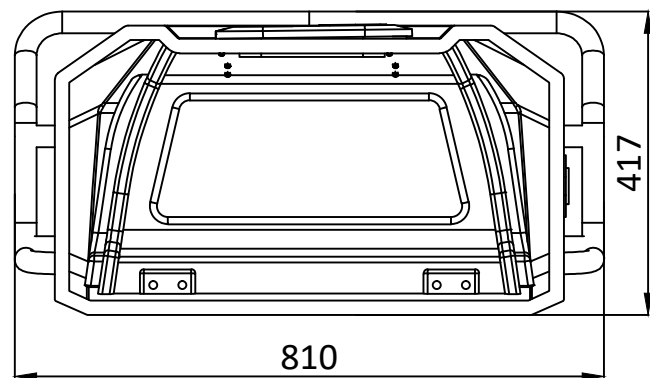


↑
A



View A

Item	Designation	Part Number	Qty
1	Seat	BOL700ST-02	1
2	Cushion	BOL700ST-B-04	1
3	Handrail	BOL700ST-H-03	1
4	Hatch		1

	BOL700ST-02		DWN: XQC
			APPROVED: LXL
info@highfieldboats.com	DWG:	SCALE:	DATE: 2020.11.24
(C) Copyright reserved. No unauthorized use allowed. All intellect - ideas - concepts remain the property of Highfield Boats			