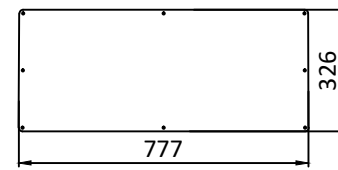
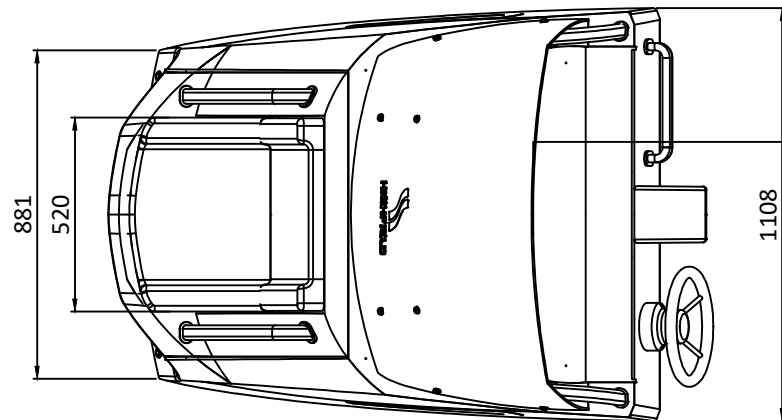
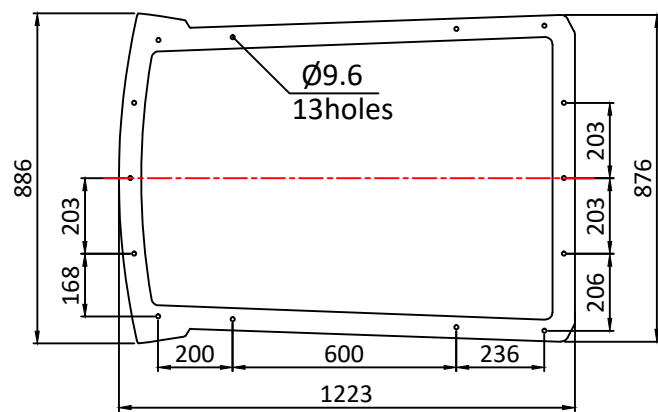


View B



Dash



View A

Item	Designation	Part Number	Qty
1	Console	SPC800ST-01	1
2	Cushion	SPC800ST-D-02	1
3	Handrail	SPC800-H1-01	1
4	Windshield	SPC800-GL-01	1
5	Steering wheel assembly		1
6	Backrest	SPC800ST-K-02	1
7	Handrail	SPC800-H1-02	1
8	Handrail	SPC800-H1-03	1

	SPC800ST-01		DWN: XQC
			APPROVED: LXL
info@highfieldboats.com	DWG:	SCALE:	DATE: 2020.11.20

(C) Copyright reserved. No unauthorized use allowed.
All intellect - ideas - concepts remain the property of Highfield Boats